



FT-AHD-DSMCA29HM • CAMARA

Technical Datasheet

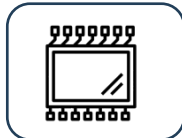


FT-AHD-DSMCA29HM

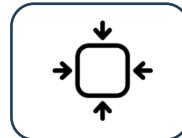
Vehicle DSM Camera-Horizontal installation



1280H*800V Resolution



CMOS Sensor



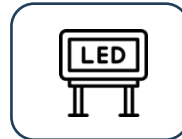
Compact size



Electronic shutter



White & Black mode



Dual LED fill light



Product Summary

FT-AHD-DSMCA29HM is a compact mini lightweight AHD vehicle camera delivering full HD 800p resolution suitable for vehicles to mount anywhere within the vehicle. Typical usage includes driver facing.

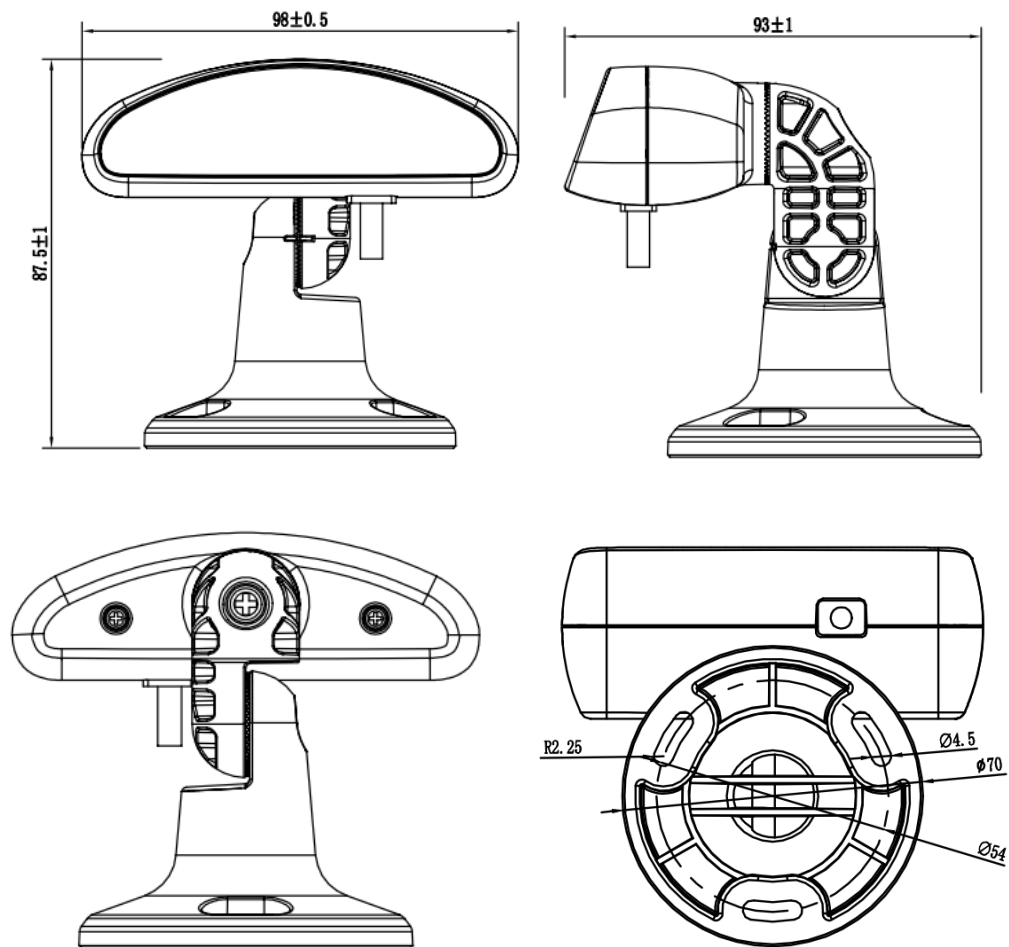
Key Features:

- 1/4" 1.0M pixel CMOS
- Resolution: 1280H*800V
- Auto electronic shutter, auto exposure and auto white balance
- Compact design makes canter console installation easy and convenient to ensure good damping performance of vehicles
- Dual LED fill light is adopted for the scenario in which the distance between console and human face is greater than 60cm
- Output image is immune to ambient light, meeting requirements of 7/24 monitoring, no IR exposure and sunglasses penetration

Technical Specification

Parameters	Description
Model	FT-AHD-DSMCA29HM
Image sensor	1/4 " 1.0M pixel CMOS
Resolution	1280H*800V
Video signal standards	NTSC/PAL
Minimum illumination	0Lux/2.0F (IR fill light)
Synchronization system	Internal synchronization
Scanning system	Progressive scan
S/N	≥ 40dB
Lens	4mm HFOV : 49° VFOV : 31°
Electronic shutter	Auto
Exposure mode	Auto
Auto gain	Supported
3D noise reduction	Supported
Day-to-night	Black & white mode (default: black & white)
Aspect ratio of image	8:5 for centre console installation
IR	2pcs 940nm LED arrays
IR detection range	Up to 1.0m
Video output	AHD coaxial HD standard, 4Pin aviation cable
Power supply	DC12V± 10%
Power consumption (max)	2.5W (210mA/DC12V) ±10%
Operating temperature	-40°C ~ 70°C
Dimensions	98mm*93mm*87.5mm (L*W*H)
Net weight	about 220g

Dimension (unit: mm)



Video output cable interface

