



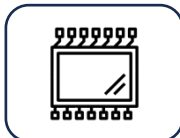
FT-AHD-FC07 • CAMARA Technical Datasheet



FT-AHD-FC07 Vehicle AHD Camera



Full HD
1280 x 720p @ 30 FPS



CMOS sensor



Supports White Balance



Electronic shutter



Windscreen mounted



0.01Lux (Colour
Illumination)



Product Summary

FT-AHD-FC07 is a mini lightweight AHD vehicle camera delivering full HD 720p resolution (1080p variant available). Designed for direct windscreen mounting to eliminate reflections and internal light disruptions. Experience exceptional image quality in this forward-facing camera

Key Features:

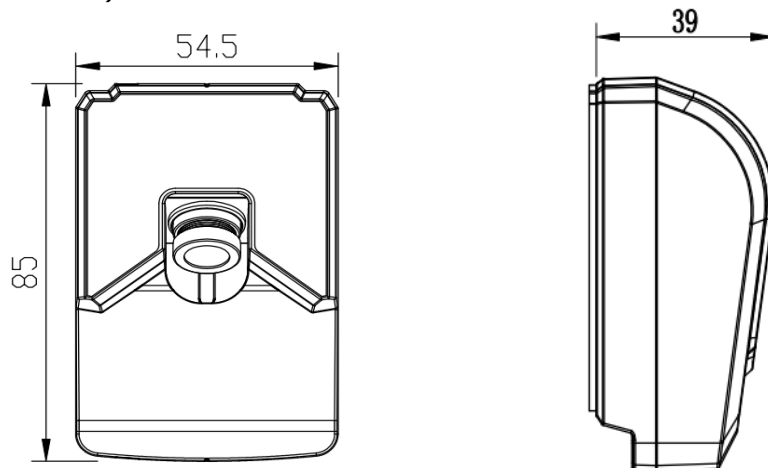
- This intelligent AHD vehicle camera that redefines clarity and reliability on the road. With standout features including

Technical Specification

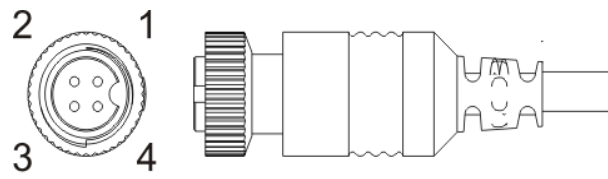
Model	FT-AHD-FC07
Image sensor	1/3" 1.3M pixel CMOS

Resolution	1280H*720V
Video signal standards	NTSC/PAL
Minimum illumination	0.01lux (color)
Electronic shutter	1/25s-1/25,000s (auto)
Synchronization system	Internal synchronization
Scanning system	Progressive scan
S/N	≥ 50dB
Lens	2.8mm M12@F2.0lens; HFOV: 92° VFOV: 51° 4mm M12@F2.0lens; HFOV: 74° VFOV: 42°
White balance	Auto tracking of white balance
Day-to-night	Full color mode (no IR)
Auto gain	Supported
Backlight compensation	Supported
3D noise reduction	Supported
Gamma correction	0.45
WDR	50DB
Video output	AHD coaxial HD standard, 4Pin aviation cable
Power supply	DC12V± 10%
Power consumption (max)	90mA/DC12V ± 5%
Operating temperature	-40°C ~ 70°C
Operating humidity	<90% (non-condensing)
Dimensions	85mm*54.5mm*39mm (L*W*H)
Net weight	About 100g

Dimension (unit: mm)



Video output cable interface



Aviation RS765-4(Female)

1---12V DC(+)

3---AUDIO

2---GND

4---VIDEO