



FT-AHD-SC08 • CAMARA

Technical Datasheet

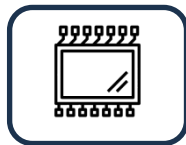


FT-AHD-SC08

Vehicle AHD Camera



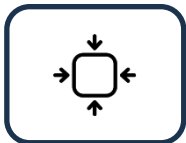
Auto white balance



CMOS Sensor



Auto electronic shutter



Compact design



IP69K rating



IR Night vision



Product Summary

FT-AHD-SC08 is a mini lightweight AHD vehicle camera delivering full HD 720p resolution (1080p variant available). Designed for direct windscreen mounting to eliminate reflections and internal light disruptions. Experience exceptional image quality in this forward-facing camera.

Key Features:

- 1/3" 1.3M pixel CMOS
- Resolution: 1280H*720V
- Minimum illumination: 0Lux (IR on), 0.05Lux (IR off)
- Auto electronic shutter, auto exposure and auto white balance
- 2.2mm , 2.8mm and 3.6mm lens are supported
- IR range: 10-15m
- IP rating: IP69K

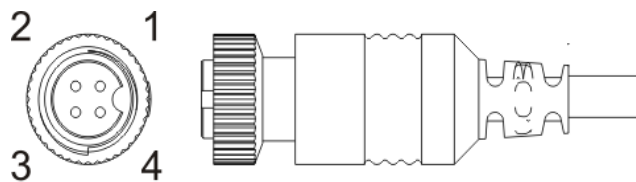
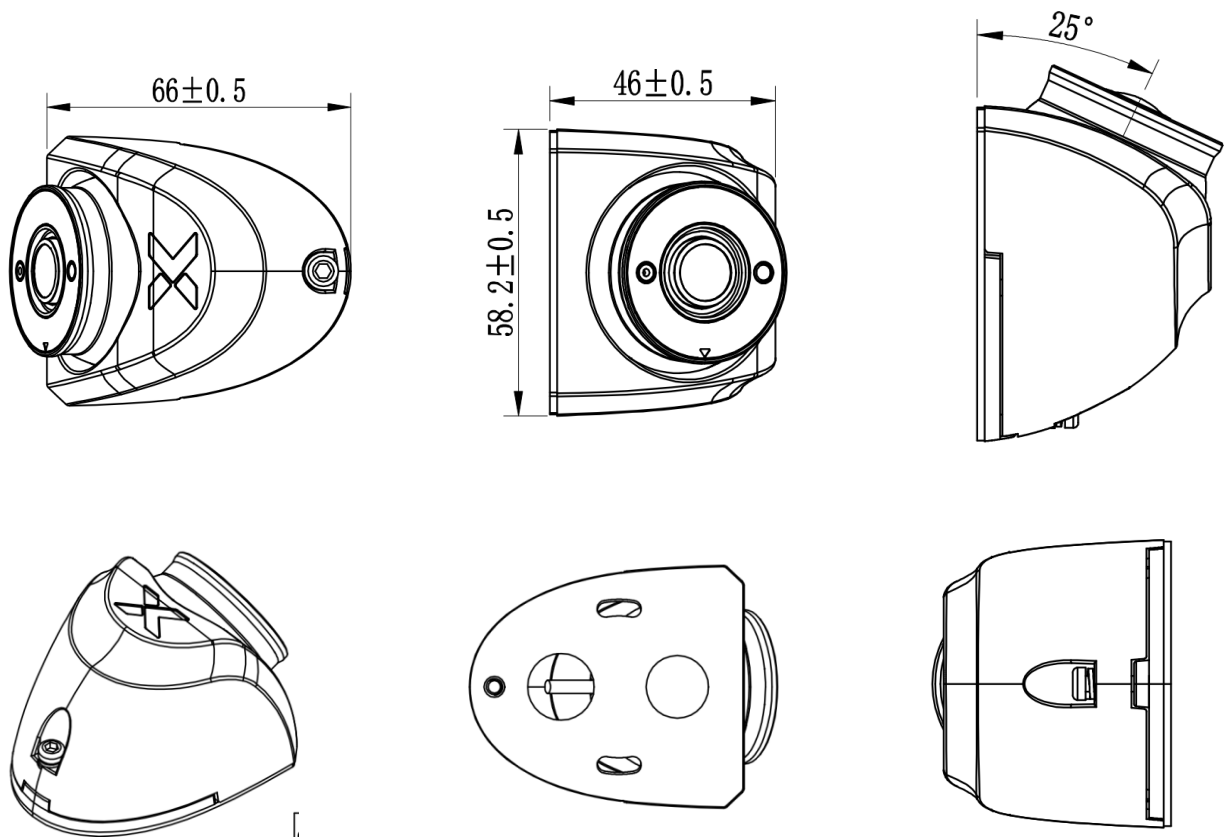
- Compact design and simple installation to ensure the vehicle damping performance

Technical Specification

Parameters	Description
Model	FT-AHD-SC08
Image sensor	1/3 " 1.3M pixel CMOS
Resolution	1280H*720V
Standard	PAL/ NTSC
Minimum illumination	0Lux (IR on), 0.05Lux (IR off)
Synchronization system	Internal synchronization
Scanning system	Progressive scan
S/N	≥50dB
Electronic shutter	1/25s-1/25,000s (auto)
White balance	Auto tracking of white balance
Day/night mode	ICR IR filter
Auto gain	Supported
3D noise reduction	Supported
Backlight compensation	Supported
Digital WDR	Supported
Lens	2.2mm M12@ F2.0, FOV: HFOV: 130° VFOV: 73° DFOV: 150° 2.8mm M12@ F2.0, FOV: HFOV: 91° VFOV: 50° DFOV: 107° 3.6mm M12@ F2.2, FOV: HFOV: 73° VFOV: 41° DFOV: 85°
IR range	10-15m (2 dot-matrix displays)
Video output	1.0Vp-p Composite video output, 75Ω, 4PIN aviation cable

Power supply	DC12V ±10%
Power consumption (max)	240mA/DC12V ±5%
Working temperature	-40°C ~ 70°C
Operating humidity	<95% (no condensation)
Product dimensions	66mm*58mm*46mm (L*W*H)
Net weight of product	above 180g

Dimension (unit: mm)



Aviation RS765-4(Female)

1---12V DC(+)
 2---GND
 3---AUDIO
 4---VIDEO

Appearance

