



FT-MDVR-DC02 • MDVR Technical Datasheet



FT-MDVR-DC02 MDVR - Highly Integrated Design



GPS Tracking



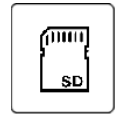
Geo Fencing



Playback Trips



Wi-Fi



SD Card



Live Tracking



Product Summary

Fleetly FT-MDVR-DC02 (previously called F5-MDVR) is a HD 2 channel commercial grade high quality vehicle camera system is compact and very powerful, 4G/LTE connected mobile video surveillance device especially designed for remote monitoring, safety and driver coaching. FT-MDVR-DC02 HD device upload important incident and harsh driver behaviour footage automatically to the cloud to analyse and learn using driver coaching tools. Dual channel digital video recorders continuously loop record to the local storage (SD card) and also simultaneously can live stream remotely.

This compact MDVR allows customers to select choice of cameras to connect based on their use case. Emergency services and Law enforcement agencies chose to install both channels externally but whereas private taxi or passenger fleets choose internal, Front or Rear-view cameras.

Key Features:

- Up to 2CH 1080p video input
- H.265/H.264 video format
- GPS positioning
- 3-Axis G-sensor, support HA/HB detection
- Up to 4 servers linked at the same

➤ [Compatible with Fleetly FMS](#)

Technical Specification

General Specification

Model	FT-MDVR-DC02
System	Embedded Linux
Language	English/Chinese (support customization)
3G/4G	Built-in 3G/4G module Multiple frequency bands for different region
WIFI	Support external WIFI Dongle
Position	Built-in dual mode position mode: GPS+ Beidou, GPS+GLONASS (optional)
G-Sensor	HA/HB/HC

Video and audio

Video input	2* AHD 1080p/720p
Video compression	H.265 (Main/Sub) H.264 (Main/Sub)
Video output	CVBS
Audio input	2

Storage

SD card	512GB*1 Network
----------------	-----------------

Network

Protocol	H-protocol
Server	VSS, third –party FMS platform
Accessories	Panic button/ Fuel sensor/ RFID reader /temperature& humidity sensor etc.

Alarm

Basic	I/O, HA/HB/HC, Speed alarm, etc. Interface
Remote Controller	1(Optional)
USB	USB2.0 *1 (Front)

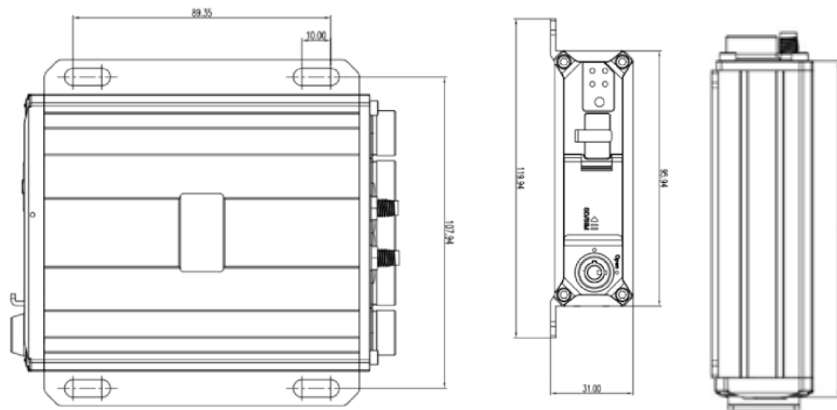
RJ45	1(6pin)
Sensor- in	2
Sensor- out	1
RS232	2
SD card slot	1
SIM Card slot	1

Others

Working voltage	8-36V
Working temperature	-20°C —80°C
Storage temperature	-40°C —80°C
Dimensions	117*120mm*29mm
Protection level	IP54

Dimensions

Unit (mm)



Appearance

