



## FTC-APC-M7 • Accessories Technical Datasheet



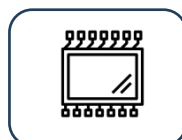
### FTC-APC-M7 Vehicle APC Camera



1920\*1080 @ 30fps  
Resolution



Anti-Vibration



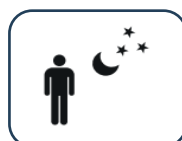
CMOS sensor



Auto electronic shutter



WDR



IR Night vision



### Product Summary

FTC-APC-M7 passenger counter is a professional vehicle-mounted passenger counter with AI algorithm. It can accurately judge the moving direction of passengers unattended precise statistics of passengers boarding and alighting buses. At the same time, the passenger counter can synchronize the number of passengers to the host via the network interface and upload the passenger number to the platform through the host to enable analysis & statistics of passenger flow data.

### Key Features:

- Support 1920\*1080 @ 30fps resolution
- Support WDR to meet demands of various vehicle running environments on image effect
- Support to work 24/7
- Support auto exposure response algorithm, auto white balance algorithm and auto noise reduction

- Support the passenger counting function based on deep learning
- Several mounting brackets are available for different vehicle models
- In accordance with the vehicle anti-vibration design

## Technical Specification

### Model

FTC-APC-M7

### Function Overview

Passenger, counting

### Basic parameters

<b>Image sensor</b>	1/2.8" 2M pixel CMOS
<b>S/N</b>	≥50db
<b>Minimum illumination</b>	Color: 0.05Lux/F1.2; white/black: 0Lux (IR LED on)
<b>Focal length</b>	M12 2.7mm lens
<b>Viewing angle</b>	FOV: 120°      VFOV: 62.5°
<b>Electronic shutter</b>	1/60s-1/5000s
<b>WDR</b>	2F DWR dynamic range≥80db
<b>IR</b>	3m

### Audio & video encoding

<b>Video compression standard</b>	H.264 (the default) & H.265
<b>Compression output bitrate</b>	512Kbps-10Mbps
<b>Image resolution</b>	Main stream: 1080p @ 30fps Sub-stream 1: VGA/QVGA/CIF @ 15FPS or D1@15FPS Sub-stream 2: CIF @ 10FPS/self-adaptive
<b>CBR/VBR</b>	Supported (the default is VBR)
<b>Audio input</b>	Not supported

### Image

Maximum image size 1920x1080

## Network

**Network interface** 10M/100M self-adaptive Ethernet interface (6PIN aviation connector female)

**Client preview** Internal WEB server. Support IE browser access

## Installation

**Installation method** Support embedded-mounted, top-mounted and side-mounted

**Dimensions (Brackets included)**  
Embedded-mounted bracket: 188.05mm\*67.04mm\*33mm  
Top-mounted bracket: 179.17mm\*55.88mm\*42.5mm  
Side-mounted bracket: 178.96mm\*54.95mm\*45.35mm

## Power

**Power supply** PON (DC12V). Voltage range supported: 8-16V

**Power consumption** < 5W

## Working environment

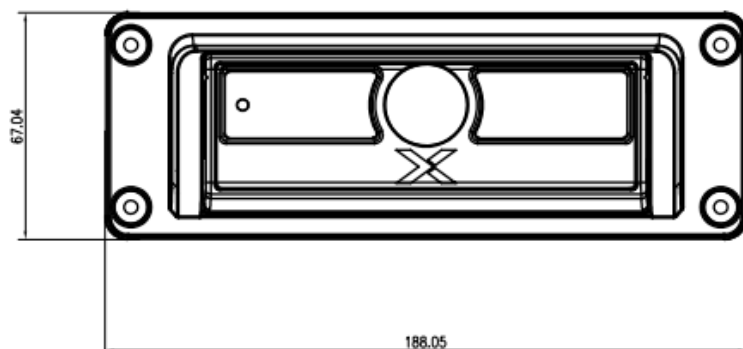
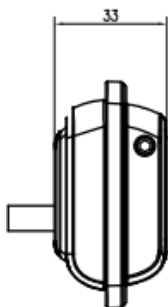
**Working temperature** -30°C - + 70°C

**Storage temperature** -40°C - + 85°C

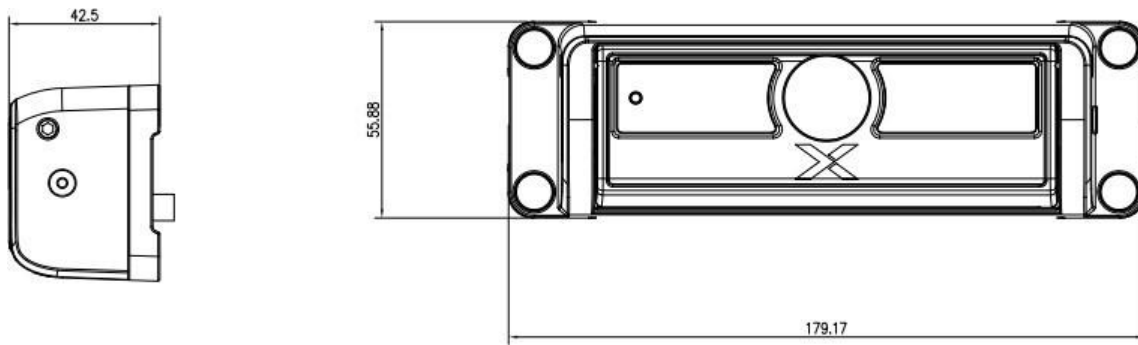
**Humidity** 0% - 90%

## Dimensions

Embedded-mounted method (mm)



### Top-mounted method (mm)



### Sided-mounted method (mm)

