



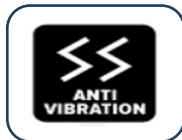
FTC-APC-S7 • Accessories Technical Datasheet



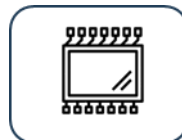
FTC-APC-S7 Vehicle APC Camera



1920*1080 @ 30fps
Resolution



Anti-vibration



CMOS sensor



Auto electronic shutter



WDR



IR Night vision



Product Summary

FTC-APC-S7 camera is a professional camera used in combination with FTC-APC-XN Automatic Passenger Counter. The camera transmits video images to FTC-APC-XN Automatic Passenger Counter and AI algorithm of FTC-APC-XN Automatic Passenger Counter can accurately judge the moving direction of passengers accordingly to obtain precise statistics of passengers boarding and alighting buses.

Key Features:

- Support 1920*1080 @ 30fps resolution
- Support WDR to meet demands of various vehicle running environments on image effect
- Support to work 24/7
- Several mounting brackets are available for different vehicle models
- In accordance with the vehicle anti-vibration design

Technical Specification

Model

FTC-APC-S7

Function Overview

Video, image transmission

Basic parameters

Image sensor	1/2.8" 2M pixel CMOS
S/N	≥50db
Minimum illumination	Color: 0.05Lux/F1.2; white/black: 0Lux (IR LED on)
Focal length	M12 2.6mm lens
Viewing angle	FOV: 120° VFOV: 62.5°
Electronic shutter	Auto shutter 1/30s -1/10000s
WDR	Supported
IR	3m

Image

Maximum image size	1920x1080
---------------------------	-----------

Installation

Installation method	Support embedded-mounted, top-mounted and side-mounted
Dimensions (Brackets included)	Embedded-mounted bracket: 188.05mm*67.04mm*33mm Top-mounted bracket: 179.17mm*55.88mm*42.5mm Side-mounted bracket: 178.96mm*54.95mm*45.35mm

Power

Power supply	DC12V
Power consumption	< 3W

Working environment

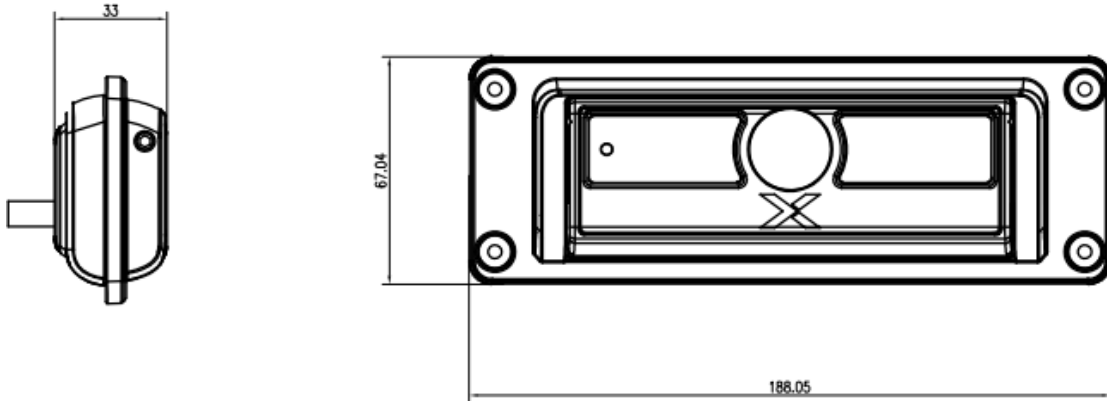
Working temperature -30°C - +70°C

Storage temperature -40°C -+85°C

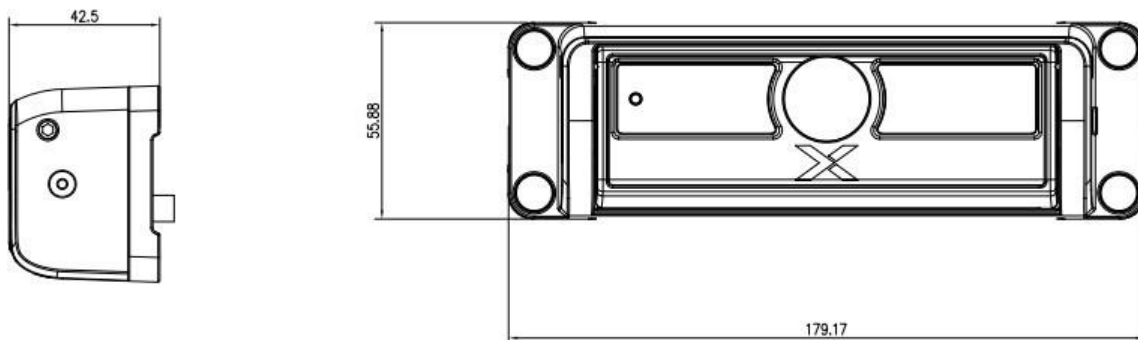
Humidity 0% - 90%

Dimensions

Embedded-mounted method (mm)



Top-mounted method (mm)



Sided-mounted method (mm)

