



FTDC-ADP-3CH • AI Dashcam Technical Datasheet



FTDC-ADP-3CH

Connected 3-Channel Dashcam (ADAS + DMS)



Wide-Viewing Angle



3-Channel



Connected



Dual SD Storage



Wake Up on Demand



OBD Plug & Play



Product Summary

As a professional, user-friendly and cost-effective dash camera With built-in AI processor, Fleetly FTDC-ADP-3CH detects risky driving events such as lane departure warning, forward collision warning and headway monitoring warning. In addition, it can remind drivers of unsafe driving behaviours in real time and upload driving events to a monitoring platform that can be reviewed by fleet managers to help fleets guide drivers and reduce traffic risks.

Key Features:

- 5MP resolution with 140° DFOV for ADAS
- Support up to 3-channel video recording, H.264/H.265 video coding
- Dual Micro 256G SD card storage, supporting dual-stream recording
- Built-in Wi-Fi and 4G module
- Support 4-channel input, 1 channel CAN and 1 channel RS232
- Compact Design
- Support OBD powering, easy installation
- Functions of built-in ADAS, supporting AI event detection (LDW, HMW, FCW)

- Support sleep mode, remote wake-up (power consumption less than 0.1W)
- Support echo suppression algorithm to improve the quality of two-way voice intercom
- 6-axis gravity sensor detects intense driving behaviours (Harsh Acceleration, Deceleration, Sharp turn & Accident detection)

Active Safety Features

Fleetly FTDC-ADP-3CH uses machine vision based on video analysis technology to automatically capture road risks and drivers' bad driving behaviours. Any detected event will trigger audible and visual reminders to warn drivers in real time, and the event videos will also be uploaded to the cloud at the same time.

ADAS Features



LDW

(Lane Departure Warning)



HMW

(Headway Monitoring Warning)



FCW

(Forward Collision Warning)

Optional accessories for active safety DMS Features



A-pillar DMS



Driver Notified (R-Watch)



Lens Covered



Fatigue



Phone Call



Smoking



Distraction



No driver detected



Unfastened seat belt



Yawning

Technical Specification

Product Model

Model	FTDC-ADP-3CH
System	Embedded Linux
Language	Support Chinese, English, Spanish, Portuguese, French, Russian, Japanese







Video/Audio

Video/Audio Recording	3-channel video (default: 1-channels; extensible: 2-channel IPC) + 1-channel audio
Total Resources (With 2-channel AI)	5MP @20fps (ADAS)+1080P @20fps (AHD)+1080P @20fps (IPC)
Total Resources (Without AI)	PAL: 1 × 5MP @25fps (AHD) + 1 × 1080P @25fps (AHD) + 1 × 1080P @25fps (IPC) NTSC: 1 × 5M P@30fps (AHD) + 1 × 1080P @30fps (AHD) + 1 × 1080P @30fps (IPC)
Image Setup	Adjustable brightness, Chroma, contrast, color saturation, and sharpness
Video Coding	H.264 /H.265 (default: H.265)
Audio Compression Standard	ADPCM/G.711/G.726 (default: ADPCM)
CBR/VBR	Supported. VBR or CBR (optional), VBR by Default
Audio	Built-in MIC
Loudspeaker	Built-in 3W loudspeaker

ADAS Camera Parameters

Sensor Type	1/2.7" 5-megapixel CMOS sensor
Shutter Speed	1/30s-1/100000s
Lens	2.8mm HFOV: 123° VFOV: 65° DFOV: 140°
Minimum illumination	Color: 0.05Lux/F1.2
Lens Mount	MDVR built-in lens
Wide Dynamic Range (WDR)	Digital WDR
Backlight Compensation	Supported
Signal-to-Noise Ratio (S/N)	≥48dB

LED Indicator Status

Power Status Indicator	 Off/Blue
Alarm Indicator	 Off/Red
GPS Signal Indicator	 Off/Red
Network Status Indicator	 Off/Red
Wi-Fi Status Indicator	 Off/Red/Green
Recording Status Indicator	 Off/Red

Storage

Micro SD card	Support two Micro SD cards, with the maximum capacity of a single card is 256 GB
---------------	--

Sensor

Six-axis Sensor	Supported, Harsh Acceleration, Deceleration, Sharp turn & Accident detection
-----------------	--

Engine Data Page

CAN Data Collection	Supported
---------------------	-----------

Port

RS232	1
IO Port	4-channel input
CAN	1
USB	1 × mini-USB port

Network

WIFI	Support 2.4G (IEEE Std.802.11a/IEEE Std.802.11b/ IEEE Std.802.11g/IEEE Std.802.11n)
4G	Supported For North America: EC25AFXGA-128-SGAS LTE FDD: B2/B4/B5/B12/B13/B14/B66/B71 WCDMA: B2/B4/B5 For Europe and Asia: EC25-EC LTE FDD: B1/B3/B7/B8/B20/B28A WCDMA: B1/B8 GSM: B3/B8 For Latin America: EC25AUXGA-128-SGNS LTE FDD: B1/B2/B3/B4/B5/B7/B8/B28

LTE TDD: B40
WCDMA: B1/B2/B5/B8
GSM: B2/B3/B5/B8

Positioning

GPS	Supported GPS L1 1575.42MHz BDS B1 1561.098MH GALILEO E1B/C1 GLONASS L1OF 1602MHz SBAS: WAAS, EGNOS, MSAS, GAGAN
------------	---

Protocol

Network Protocol	HTTP, TCP, ARP, UDP, FTP, DHCP, DNS, IPV4, NTP
-------------------------	--

Power Related

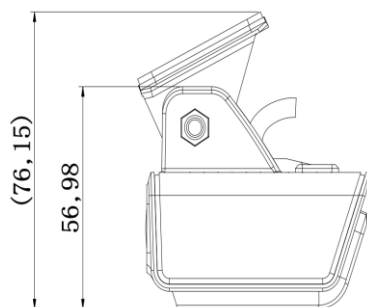
Power Supply	9-36V
Built-in Battery	Not supported
Power Consumption	Typical power consumption <8 W, maximum power consumption <12 W

General Specifications

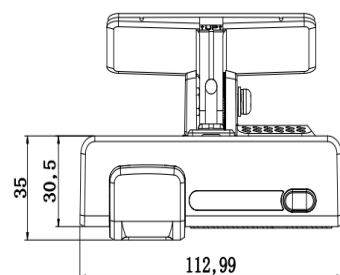
Dimensions	113.0 mm (length) × 67.2 mm (width) × 57.0 mm (Height, without bracket)
Weight	720g
Operating Temperature	-40°C - +70°C (-40°F - +158°F)
Storage Temperature	-40°C - +85°C (-40°F - +185°F)
Humidity	15% - 90%

Dimensions

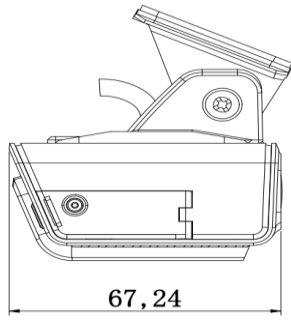
Unit (mm)



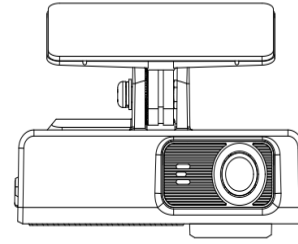
Left view



Front view

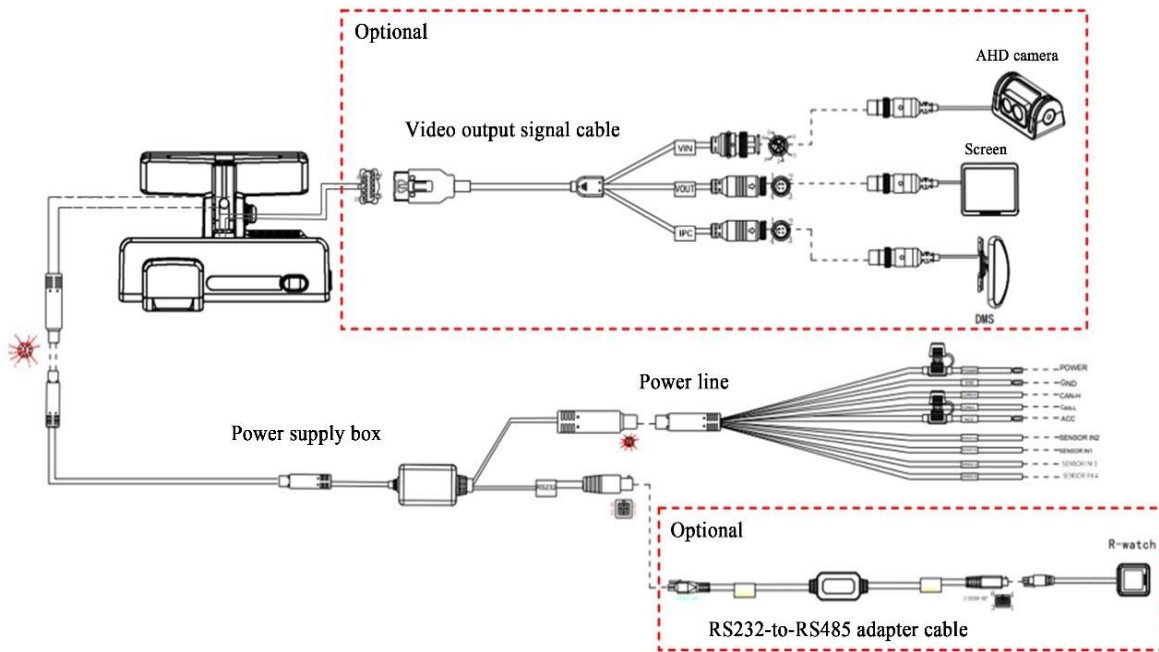


Right view

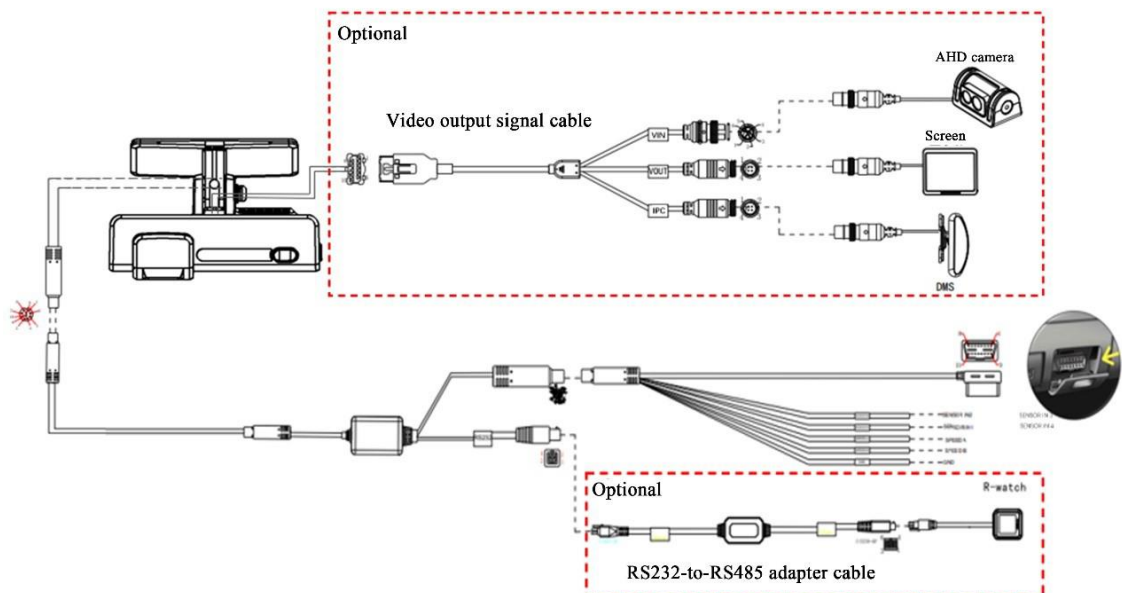


Rear view

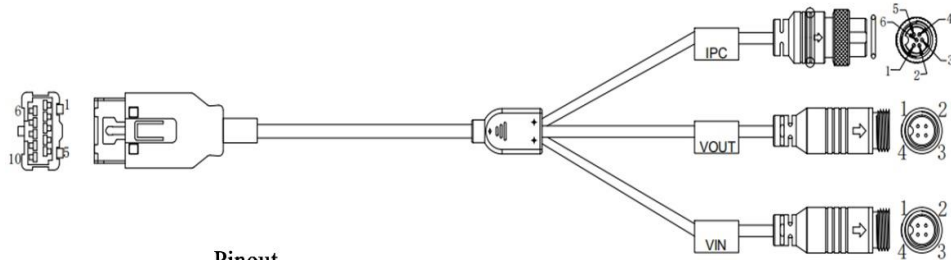
System connection diagram for power supply through loose wire



OBD wiring diagram



Video output cable connector pinouts



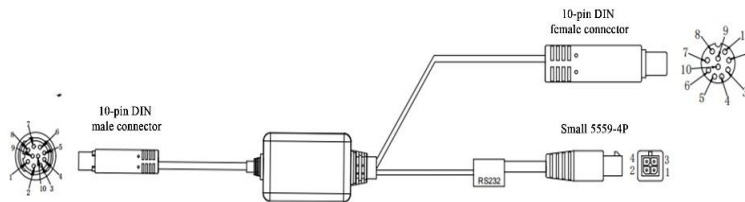
Pinout

10-pin GWM male connector	RS765-6 aviation female connector
2	1 (TXN) Black
7	2 (TXP) White
1	4 (RXN) Brown
6	5 (RXP) Orange
10	3 (VCC) Red
3	6 (GND) Gray
Shell	Shell (Ground) × 3

10-pin GWM male connector	RS765-4 aviation male connector VOUT
4	4 (VOUT) Yellow
5+9	2 (GND) Shield

10-pin GWM male connector	RS7654 aviation male connector VIN
8	4 (VOUT) Green
3	2 (GND) Shield
10	1 (+12V) Purple

Power supply box connector pinout



Pinout

TJC3-12PIN-P1.25	10-pin DIN male connector
1+2	10 DC+ Red + Red/White
3+4	9 DC- Black + Black/White
5	8 TX White
6	7 RX Brown
7	6 SIN1 Purple
8	5 SIN2 Blue
9	4 3.3V Gray
10	3 CANH Green
11	2 CANL Yellow
12	1 ACC Orange

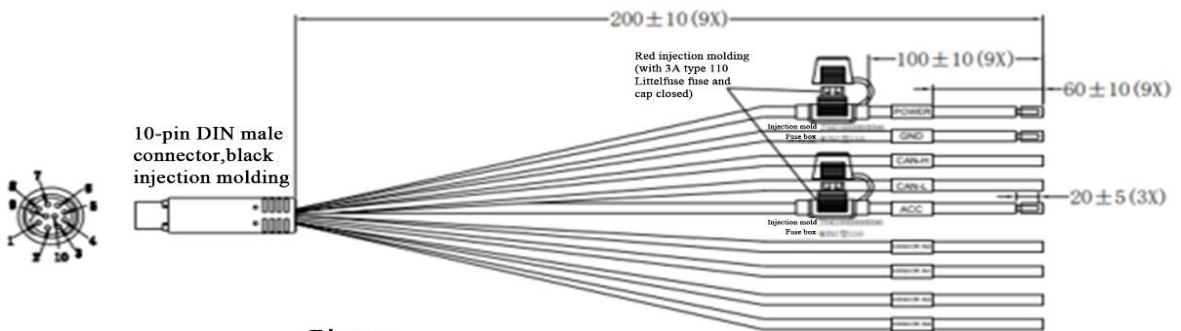
Pinout

TJC3-12PIN-P1.25	10-pin DIN female connector
1+2	10 GND Black + Black/White
3+4	3 24V+ Red + Red/White
7	5 SIN1 Purple
8	7 SIN2 Brown
10	2 CANH Green
11	1 CANL Yellow
12	8 SPEED A Blue
13	9 SPEED B Gray
14	6 ACC Orange
15	4 ORB-CHK White

Pinout

TJC3-2PIN-P1.25	Small 5559-4P
1	1 +12V Pink
2	NC +5V Blue/White
TJC3-15PIN-P1.25	Small 5559-4P
9	4 GND Black
6	3 232TX Green
5	2 232RX Yellow

Power output cable connector pinout

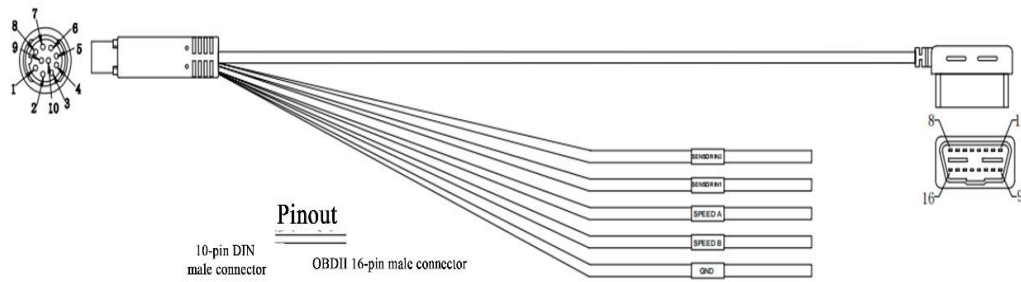


Pinout

Loose wire	10-pin DIN male connector
Semi-stripped ACC	Orange 3A fuse boxtt 6
Semi-stripped CAN-L	Yellow 1
Semi-stripped CAN-H	Green 2
Semi-stripped SENSOR IN3	Blue 8
Semi-stripped SENSOR IN2	Green/Yellow 7
Semi-stripped SENSOR IN1	Gray 5
Semi-stripped SENSOR IN4	Green/Black 9
Semi-stripped POWER	Red 3A fuse boxtt 3
Semi-stripped GND	Black 10

Matte silver foil label, covered with transparent heat shrink tubing

OBD cable connector pinout



Pinout

	10-pin DIN male connector		OBDII 16-pin male connector
GND Black	10+4	—————	4+5
CAN-H Green	2	—————	6
CAN-L Yellow	1	—————	14
POWER Red	3	—————	16
SPEED A Green/Yellow	8	—————	
SENSOR IN2 Blue	7	—————	
SENSOR IN1 Gray	5	—————	
SPEED B Green/Black	9	—————	
CND Black	10	—————	

3A resettable fuse