



FTDC-ADP-4CH • AI Dashcam Technical Datasheet



FTDC-ADP- 4CH

Connected 4-Channel Dashcam (ADAS + DSC)



Wide-Viewing Angle



4-Channel



Connected



Dual SD Storage



Wake Up on Demand



OBD Plug & Play



Product Summary

As a professional, user-friendly and cost-effective dash camera with built-in AI processor, Fleetly FTDC-ADP-4CH detects risky driving events such as lane departure warning, forward collision warning and headway monitoring warning, as well as unsafe driving behaviours such as unfastened seatbelt, using mobile phones, yawning, distraction and smoking.

Key Features:

- 5MP resolution with 140° DFOV for ADAS
- 1080P resolution with 170°DFOV for DSC
- Support up to 4-channel video recording, H.264/H.265 video coding
- Dual Micro 256G SD card storage
- Supporting dual-stream recording
- Built-in Wi-Fi and 4G module
- Support 4-channel input, 1 channel CAN and 1 channel RS232
- Compact Design

- Support OBD powering, easy installation
- Functions of built-in ADAS, supporting AI event detection (LDW, HMW, FCW)
- Support sleep mode, remote wake-up (power consumption less than 0.1W)
- Support echo suppression algorithm to improve the quality of two-way voice intercom
- 6-axis gravity sensor detects intense driving behaviours (Harsh Acceleration, Deceleration, Sharp turn & Accident detection)

Active Safety Features

Fleetly FTDC-ADP-4CH uses machine vision-based on Video Analysis technology to automatically identify road risks and drivers' unsafe driving behaviours. Detected events will trigger audible and visual reminders to alert drivers in real time, event recordings will be uploaded to the cloud simultaneously.

ADAS Features



LDW

(Lane Departure Warning)



HMW

(Headway Monitoring Warning)



FCW

(Forward Collision Warning)

DSC Features



Unfastened seat belt



Using mobile phone



Yawning



Distraction



Smoking

Optional accessories for active safety DMS Features



A-pillar DMS



Driver Notified (R-Watch)



Lens Covered



Fatigue



Phone Call



Smoking



Distraction



No driver detected



Unfastened seat belt



Yawning

Technical Specification

Product Model

Model	FTDC-ADP-4CH
System	Embedded Linux
Language	Support Chinese, English, Spanish, Portuguese, French, Russian, Japanese

Video/Audio

Video/Audio Recording	4-channel video (default: 2 channels; extensible: 2 channels) + 1-channel audio
Total Resources (With 2-channel AI)	5MP @20fps (ADAS)+1080P @20fps (DSC)+1080P @20fps (AHD) +1080P @20fps (IPC)
Total Resources (Without AI)	PAL: 1 × 5MP@25fps (AHD) + 2 × 1080P@25fps (AHD) + 1 × 1080P@25fps (IPC) NTSC: 1 × 5MP@30fps (AHD) + 2 × 1080P@30fps (AHD) + 1 × 1080P@30fps (IPC)
Image Setup	Adjustable brightness, Chroma, contrast, color saturation, and sharpness
Video Coding	H.264 /H.265 (default: H.265)
Audio Compression Standard	ADPCM/G.711/G.726 (default: ADPCM)
CBR/VBR	Supported. VBR or CBR (optional), VBR by default
Audio	Built-in MIC
Loudspeaker	Built-in 3W loudspeaker

ADAS Camera Parameters







Sensor Type	1/2.7" 5-megapixel CMOS sensor
--------------------	--------------------------------

Shutter Speed	1/30s-1/100000s
Lens	2.8mm HFOV: 123° VFOV: 65° DFOV: 140°
Lens Mount	MDVR built-in lens
Wide Dynamic Range (WDR)	Digital WDR
Backlight Compensation	Supported
Signal-to-Noise Ratio (S/N)	≥48db

Cabin Camera Parameters

Sensor Type	1/2.9" 2-megapixel CMOS sensor
Shutter Speed	1/30s-1/100000s
Lens	2.2mm HFOV: 154° VFOV: 84° DFOV: 170°
Lens Mount	MDVR built-in lens
Wide Dynamic Range (WDR)	Digital WDR
Backlight Compensation	Supported
Signal-to-Noise Ratio (S/N)	≥45db

LED Indicator Status

Power Status Indicator	 Off/Blue
Alarm Indicator	 Off/Red
GPS Signal Indicator	 Off/Red
Network Status Indicator	 Off/Red
Wi-Fi Status Indicator	 Off/Red/Green
Recording Status Indicator	 Off/Red

Storage

Micro SD card	Support two Micro SD cards, with the maximum
----------------------	--

capacity of a single card is 256 GB

Sensor

Six-axis Sensor

Supported, Harsh Acceleration, Deceleration, Sharp turn & Accident detection

Engine Data Page

CAN Data Collection

Supported

Port

RS232

1

IO Port

4-channel input

CAN

1

USB

1 × mini-USB port

Network

WIFI

Support 2.4G (IEEE Std.802.11a/IEEE Std.802.11b/ IEEE Std.802.11g /IEEE Std.802.11n)

4G

Supported
For North America: EC25AFXGA-128-SGAS
LTE FDD: B2/B4/B5/B12/B13/B14/B66/B71
WCDMA: B2/B4/B5
For Europe and Asia: EC25-EC
LTE FDD: B1/B3/B7/B8/B20/B28A
WCDMA: B1/B8
GSM: B3/B8
For Latin America: EC25AUXGA-128-SGNS
LTE FDD: B1/B2/B3/B4/B5/B7/B8/B28
LTE TDD: B40
WCDMA: B1/B2/B5/B8
GSM: B2/B3/B5/B8

Positioning

GPS

Supported
GPS L1 1575.42MHz
BDS B1 1561.098MH
GALILEO E1B/C1
GLONASS L1OF 1602MHz
SBAS: WAAS, EGNOS, MSAS, GAGAN

Protocol

Network Protocol

HTTP, TCP, ARP, UDP, FTP, DHCP, DNS, IPV4,

NTP

Power Related

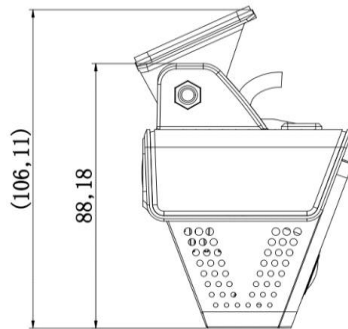
Power Supply	9-36V
Built-in Battery	Not supported
Power Consumption	Typical power consumption <8 W, maximum power consumption <12 W

General Specifications

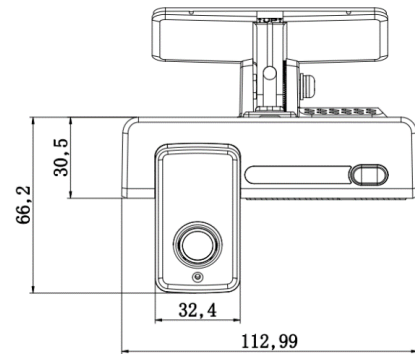
Dimensions	113.0 mm (length) × 67.8 mm (width) × 88.2mm (Height, without bracket)
Weight	MDVR: 306 g MDVR + bracket + screw: 330 g MDVR + bracket + screw + power supply box + power tail cable: 591 g
Operating Temperature	-40°C - +70°C (-40°F - +158°F)
Storage Temperature	-40°C - +85°C (-40°F - +185°F)
Humidity	15% - 90%

Dimensions

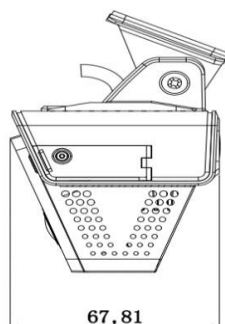
Unit (mm)



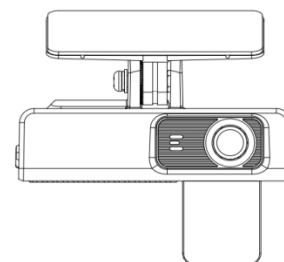
Left view



Front view

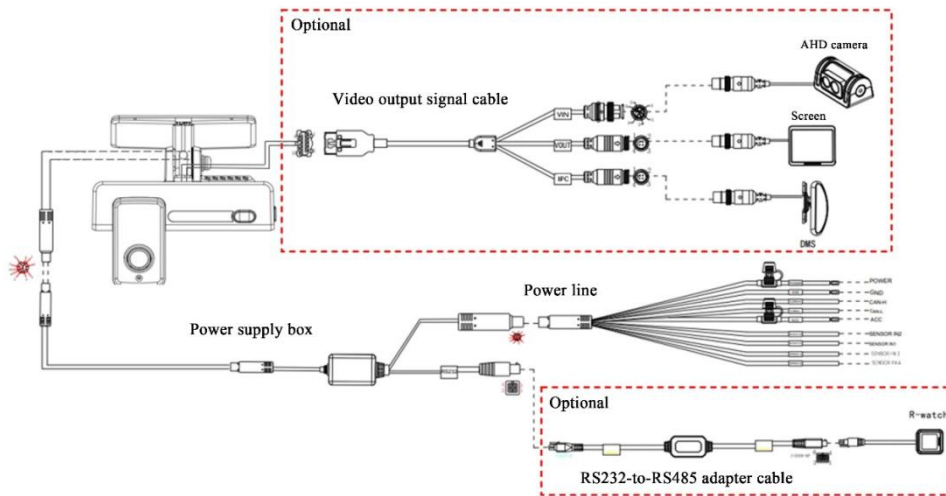


Right view

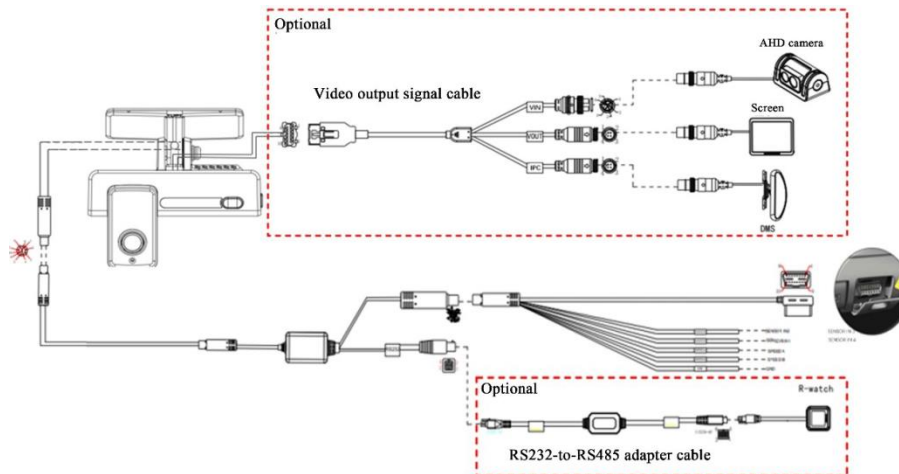


Rear view

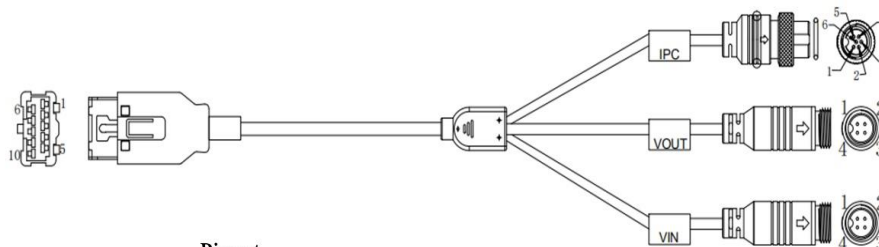
System connection diagram for power supply through loose wire



OBD wiring diagram

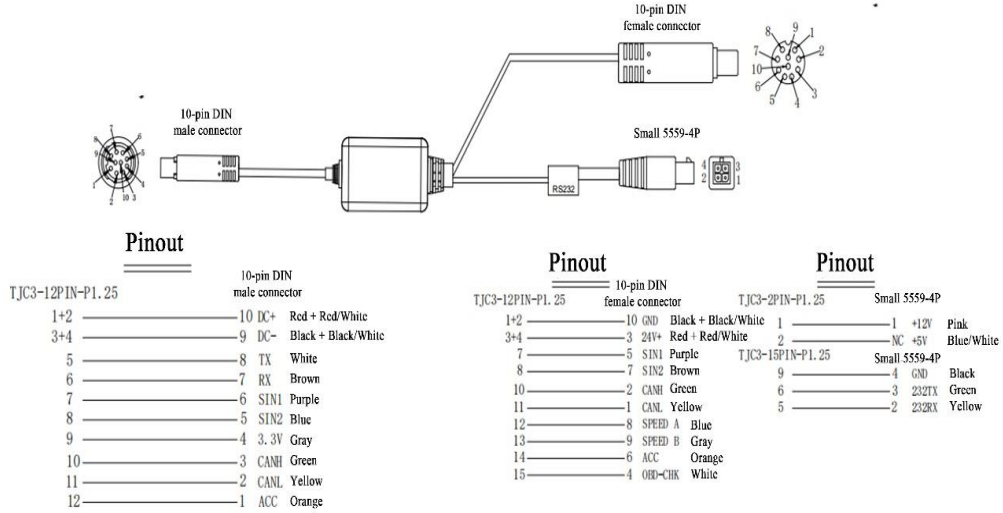


Video output cable connector pinout

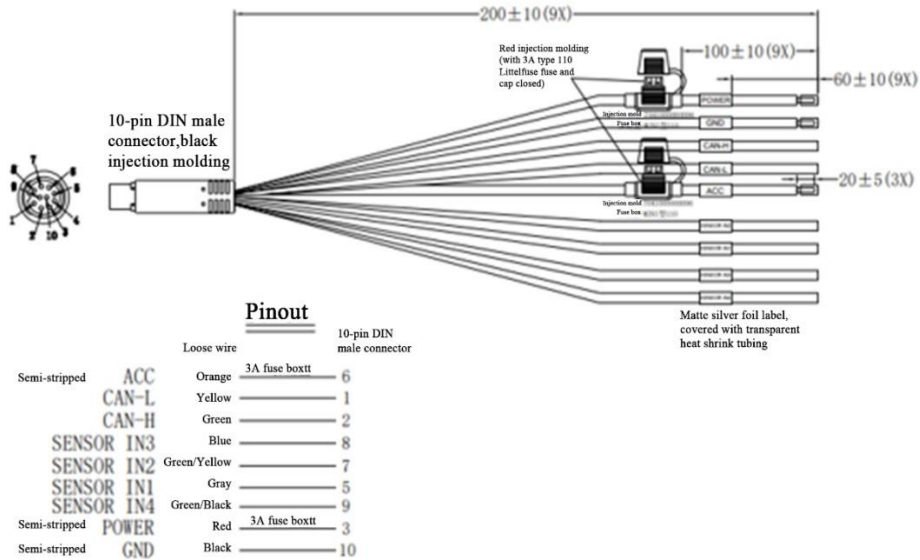


Pinout	
10-pin GWM male connector	RS765-6 aviation female connector
2	1 (TXN) Black
7	2 (TXP) White
1	4 (RXN) Brown
6	5 (RXP) Orange
10	3 (VCC) Red
3	6 (GND) Gray
Shell	Shell (Ground) × 3
10-pin GWM male connector	RS765-4 aviation male connector VOUT
4	4 (VOUT) Yellow
5+9	2 (GND) Shield
10-pin GWM male connector	RS765-4 aviation male connector VIN
8	4 (VOUT) Green
3	2 (GND) Shield
10	1 (+12V) Purple

Power supply box connector pinout



Power output cable connector pinout



OBD cable connector pinout

