



FTDC-C6LS-2CH • AI Dashcam Technical Datasheet

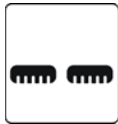


FTDC-C6LS-2CH

Connected 2-Channel Dashcam (ADAS + DSC)



Wide-Viewing Angle



2-Channel



Connected



Dual SD Storage



Wake Up on Demand



OBD Plug & Play



Product Summary

As a professional, user-friendly and cost-effective dash camera with built-in AI processor, Fleetly FTDC-C6LS-2CH supports 1 channel 2K UHD video recording, dual Micro SD card storage, and dual-stream video recording. It can record road conditions in real time. In addition, it can upload video in real time to a monitoring platform that can be reviewed by fleet managers to help fleets guide drivers and reduce traffic risks.

Key Features:

- 2MP resolution with 143° DFOV for road facing camera
- Support up to 2-channel video recording, H.264/H.265 video coding
- Dual Micro SD card storage, supporting dual-stream recording
- Built-in Wi-Fi and 4G module
- Dual Micro 256G SD card storage
- Support 4-channel input, 1 channel CAN and 1 channel RS232
- Built-in Wi-Fi and 4G module
- Compact Design

- Support OBD powering, easy installation
- Support sleep mode, remote wake-up (power consumption less than 0.1W)
- Support echo suppression algorithm to improve the quality of two-way voice intercom
- 6-axis gravity sensor detects intense driving behaviours (Harsh Acceleration, Deceleration, Sharp turn & Accident detection)

Technical Specification

Product Model

Model	FTDC-C6LS-2CH
System	Embedded Linux
Language	Support Chinese, English, Spanish, Portuguese, French, Russian, Japanese

Video/Audio







Video/Audio Recording	2-channel video (default: 1 channel; extensible: 1 channel) 1-channel audio input by default. For the extended version, there is also 1-channel audio output
Total Resources	1080P @30fps (ADAS)+1080P @20fps (AHD)
Image Setup	Adjustable brightness, Chroma, contrast, color saturation, and sharpness
Video Coding	H.264 /H.265 (default: H.265)
Audio Compression Standard	ADPCM/G.711/G.726 (default: ADPCM)
CBR/VBR	Supported. VBR or CBR (optional), VBR by Default
Audio	Built-in MIC
Loudspeaker	Not supported by default. Built-in 3W loudspeaker for the extended version

Road Facing Camera Parameters

Sensor Type	1/2.8" 2-megapixel CMOS sensor
Shutter Speed	1/30s-1/100000s
Lens	2.6mm

	HFOV: 114° VFOV: 77° DFOV: 143°
Minimum illumination	Color: 0.05Lux/F1.2
Lens Mount	MDVR built-in lens
Wide Dynamic Range (WDR)	Digital WDR
Backlight Compensation	Supported
Signal-to-Noise Ratio (S/N)	≥48dB

LED Indicator Status

Power Status Indicator	 Off/Blue
Alarm Indicator	 Off/Red
GPS Signal Indicator	 Off/Red
Network Status Indicator	 Off/Red
Wi-Fi Status Indicator	 Off/Red/Green
Recording Status Indicator	 Off/Red

Storage

Micro SD card	Support two Micro SD cards, with the maximum capacity of a single card is 256 GB
----------------------	--

Sensor

Six-axis Sensor	Supported, Harsh Acceleration, Deceleration, Sharp turn & Accident detection
------------------------	--

Engine Data Page

CAN Data Collection	Supported
----------------------------	-----------

Port

RS232	1
IO Port	4-channel input
CAN	1

USB 1 × mini-USB port

Network

WIFI Support 2.4G (IEEE Std.802.11a/IEEE Std.802.11b/ IEEE Std.802.11g /IEEE Std.802.11n)

4G Supported
For North America: EC25AFXGA-128-SGAS
LTE FDD: B2/B4/B5/B12/B13/B14/B66/B71
WCDMA: B2/B4/B5
For Europe and Asia: EC25-EC
LTE FDD: B1/B3/B7/B8/B20/B28A
WCDMA: B1/B8
GSM: B3/B8
For Latin America: EC25AUXGA-128-SGNS
LTE FDD: B1/B2/B3/B4/B5/B7/B8/B28
LTE TDD: B40
WCDMA: B1/B2/B5/B8
GSM: B2/B3/B5/B8

Positioning

GPS Supported
GPS L1 1575.42MHz
BDS B1 1561.098MH
GALILEO E1B/C1
GLONASS L1OF 1602MHz
SBAS: WAAS, EGNOS, MSAS, GAGAN

Protocol

Network Protocol HTTP, TCP, ARP, UDP, FTP, DHCP, DNS, IPV4, NTP

Power Related

Power Supply 9-36V

Built-in Battery Not supported

Power Consumption Typical power consumption <5 W, maximum power consumption <7 W

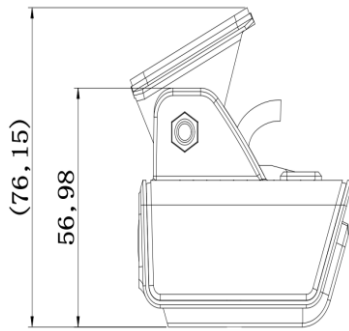
General Specifications

Dimensions 113.0 mm (length) × 67.2 mm (width) × 57.0 mm (Height, without bracket)

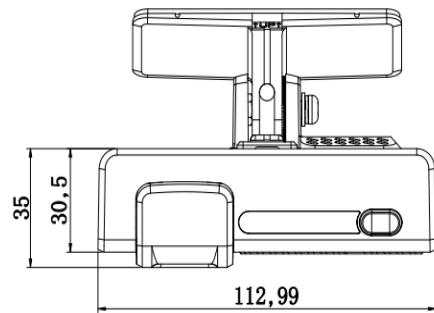
Weight	720g
Operating Temperature	-40°C - +70°C (-40°F - +158°F)
Storage Temperature	-40°C - +85°C (-40°F - +185°F)
Humidity	15% - 90%

Dimensions

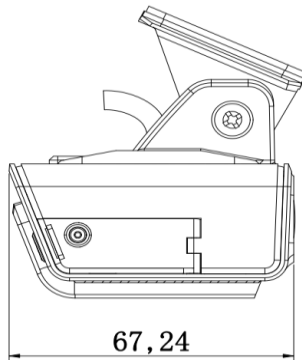
Unit (mm)



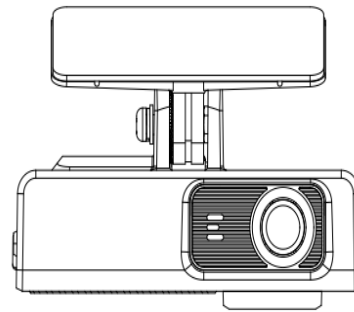
Left view



Front view

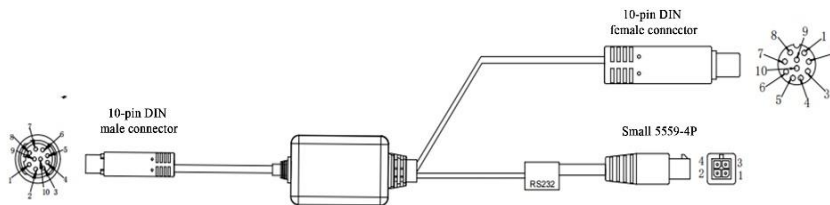


Right view



Rear view

Power supply box connector pinout



Pinout

TJC3-12PIN-P1.25	10-pin DIN male connector	
1+2	10 DC+	Red + Red/White
3+4	9 DC-	Black + Black/White
5	8 TX	White
6	7 RX	Brown
7	6 SIN1	Purple
8	5 SIN2	Blue
9	4 3.3V	Gray
10	3 CANH	Green
11	2 CANL	Yellow
12	1 ACC	Orange

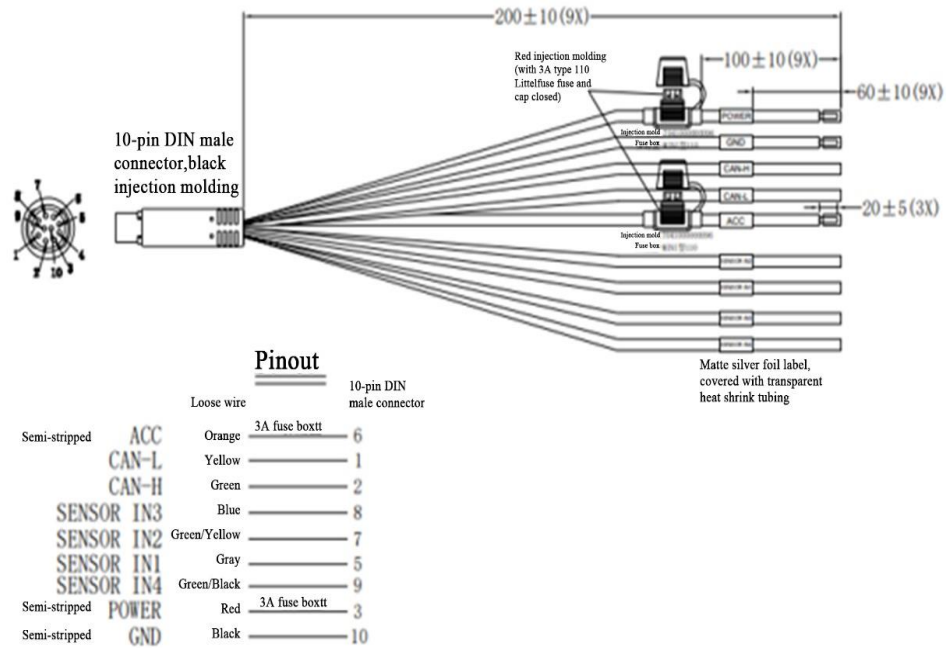
Pinout

TJC3-12PIN-P1.25	10-pin DIN female connector	
1+2	10 GND	Black + Black/White
3+4	3 24V+	Red + Red/White
7	5 SIN1	Purple
8	7 SIN2	Brown
10	2 CANH	Green
11	1 CANL	Yellow
12	8 SPEED A	Blue
13	9 SPEED B	Gray
14	6 ACC	Orange
15	4 OBD-CHK	White

Pinout

TJC3-2PIN-P1.25	Small 5559-4P	
1	1	+12V Pink
2	NC	+5V Blue/White
	4	GND Black
	3	23TX Green
	2	23RX Yellow

Power output cable connector pinout



OBD cable connector pinout

