



FTMD-MIN1-5CH • MDVR Technical Datasheet



FTMD-MIN1-5CH MDVR - Highly Integrated Design



GPS Tracking



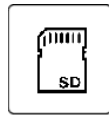
Geo Fencing



Playback Trips



Wi-Fi



SD Card



Live Tracking



Product Summary

FTMD-MIN1-5CH is a highly integrated AI MDVR for fleet video monitoring services. It has a high-speed processor and embedded operating system, combined with the most advanced H.265 video compression/decompression technology, GPS positioning technology. It supports video recording in 1080P, 720P, WD1, WHD1, WCIF, D1, HD1 and CIF formats. It is easy to use with simple design, multiple functions, superiority-vibration performance, flexible installation and high reliability.

Key Features:

- Supports 4-channel AHD (1080P) +1-channel IPC (1080P)
- Supports H.265
- Supports 2 x SD card
- Supports WIFI/BT4.0
- Supports 3G/4G
- Supports GPS
- Supports Remote Wake-up
- Supports Low Consumption Sleep Mode

Active Safety Features

Fleetly FTMD-MIN1-5CH is equipped with two AI algorithms, the DMS algorithm to detect risky driving behaviours and the ADAS algorithm to assist drivers in driving safety. The ADAS algorithm can be replaced with BSD as needed. Detected events will trigger an audio and visual notification by R-watch to alert the driver in real time, event recordings will be uploaded to the cloud simultaneously

DMS Features



Yawning



Fatigue



Smoking



Phone Call



Distraction



Lens Covered

ADAS Features



LDW
(Lane Departure Warning)



HMW
(Headway Monitoring Warning)



FCW
(Forward Collision Warning)



PCW

BSD Features



Optional Active Safety Features

Technical Specification

Product Model

FTMD-MIN1-5CH

Function Overview

Preview, video recording, playback,

network transmission, and positioning

System

Operating System	Linux 4.9
Control Mode	CP4, mouse, Easy Check, and network (3G/4G/Wi-Fi)

Video

Input	4-channel AHD + 1-channel IPC
Output	1-channel (CVBS)
Total Resource	PAL: 4 × 720P@25 FPS(AHD)+1 × 1080P@30 FPS(IPC) Or 4 × 1080p @ 11 FPS (AHD) + 1 × 1080p @ 30 FPS (IPC) NTSC: 4 × 720P@30 FPS(AHD)+1 × 1080P@30 FPS(IPC) Or 4 × 1080p @ 11 FPS (AHD) + 1 × 1080p @ 30 FPS (IPC)

Video Signal Standards

Level: 1 Vpp; impedance: 75-ohm NTSC/PAL (optional)

Audio

Input	5 channels (1-channel IPC audio)
Output	1
Audio Signal Standards	Level: 2 Vpp; input impedance: 4.7 kilohm

Display

Screen Split Screen Display	1/4/9-screen displ Positioning information, alarms, license plate numbers, driving speed, time, etc.
Operating Interface	GUI

Recording

Video Compression Format	H.264/H.265
-------------------------------------	-------------

Audio Compression Format	ADPCM, G.711U
Image Resolution	<p>Analog:</p> <p>PAL:</p> <p>1080P (1920X1080) 720P (1280X720), WD1 (928X576), WHD1 (928X288), WCIF (464X288), D1 (704X576), HD1(704x288), CIF (352x288);</p> <p>NTSC:</p> <p>1080P (1920X1080) 720P (1280X720), WD1 (928X480), WHD1 (928X240), WCIF (464X240), D1 (704x480), HD1 (704x240), CIF (352x240);</p> <p>Digital:</p> <p>1080P (1920X1080), 720P(1280X720);</p>
Image Quality	Levels 1-8 adjustable (preferably Level 1)
Recording Mode	Start-up/Manual/Scheduled/Alarm event Recording
Alarm Prerecording	0-60 min
Alarm Recording Delay	0-30 min

Playback

Playback Channel	1-channel local playback
Search Mode	By date/time, channel, or event

Network

IPC Ethernet	6-pin aviation plug (1 × 100M, PON power supply)
WIFI	Supported 1 × SMA female connector 802.11a/b/g/n/ac
3G/4G	Supported 2 × SMA female connectors For North America LTE FDD: B2/B4/B5/B12/B13/B14/B66/B71 WCDMA: B2/B4/B5

For Europe and Asia
 LTE FDD: B1/B3/B7/B8/B20/B28A
 WCDMA: B1/B8
 GSM: B3/B8
 For Latin America
 LTE FDD: B1/B2/B3/B4/B5/B7/B8/B28
 LTE TDD: B40
 WCDMA: B1/B2/B5/B8
 GSM: B2/B3/B5/B8

Positioning

GPS Positioning, speed detection, and time Synchronization
 GPS L1 1575.42 MHz
 BDS B1 1561.098MH
 GALILEO E1B/C1
 GLONASS L1OF 1602MHz
 SBAS: WAAS, EGNOS, MSAS, GAGAN

Sensor

G-Sensor Built-in 6-axis inertial sensor

Storage

SD 2 × SD card slots

Port

USB 1 × USB2.0 (Type A)
RS485 1-channel (R-WATCH)
RS232 2
IO 8-channel input and 2-channel output
Speed 1-channel pulse speed detection
Control Panel CP4 (accessories optional)
Intercom 1 × MIC port
CAN 1
UPS Supported (external)
UTC Supported
G-MOUSE Supported and connected with the 5559 connectors

Power Supply




Input	DC 8-36 V
Output	5 V @500 mA
Maximum Typical Power Consumption	29 W
Standby Power Consumption time	≈ 0 W

Physical Characteristics

Dimensions (mm)	167.3 × 146.3 × 54.1
Weight (kg)	0.83

Environment

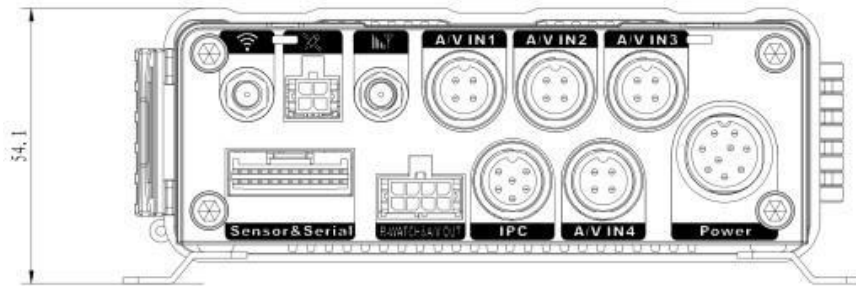
Operating Temperature	−40°C to +70°C
Operating Humidity	8% to 95% (non-condensing)

S\N	Silk Screen	Description
1	Power	8–36 V DC power input
2	Sensor & Serial	Serial port and IO port
3	A/VIN1 1~4	Analog audio/video input ports 1 to 4
4	R-WATCH&A/V OUT	R-WATCH and audio/video output port
5	IPC	PON-powered IPC port
6		GPS/BD antenna connector
7		Wi-Fi antenna connector
8	 D/M	3G/4G antenna connector

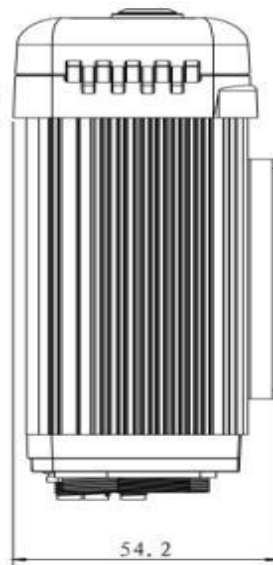
Dimensions

(Unit: mm)

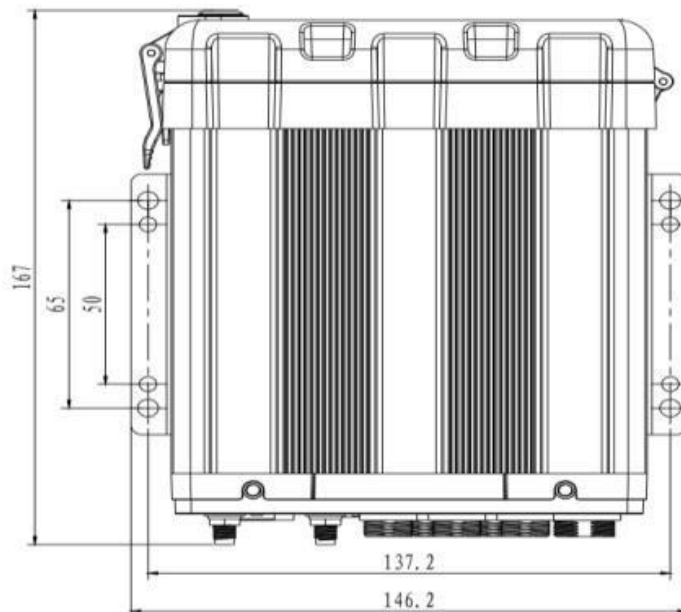
Front View



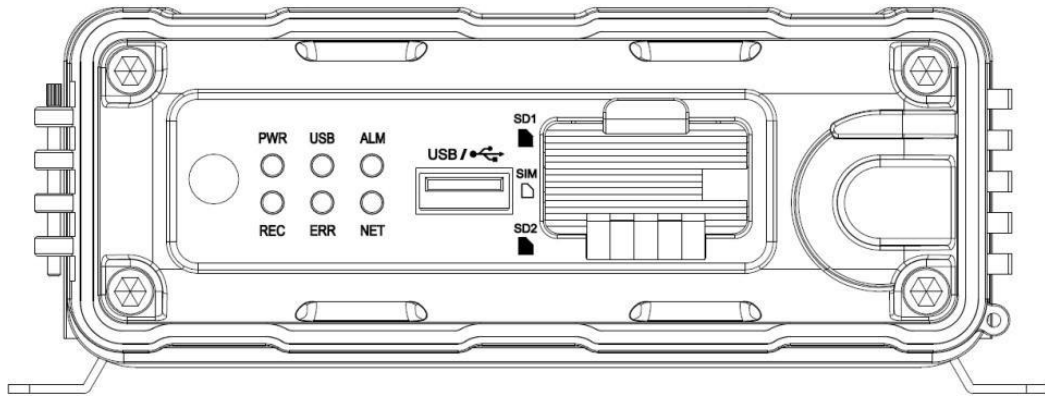
Left View



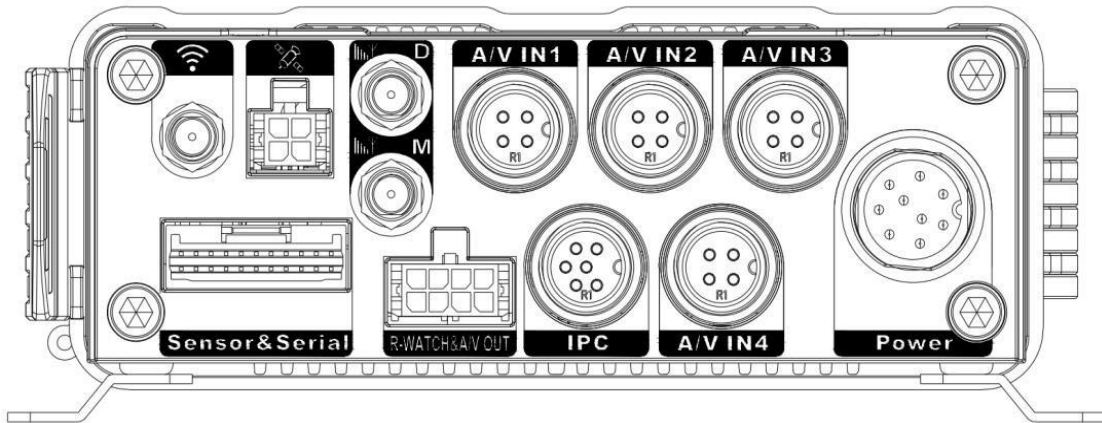
Top View



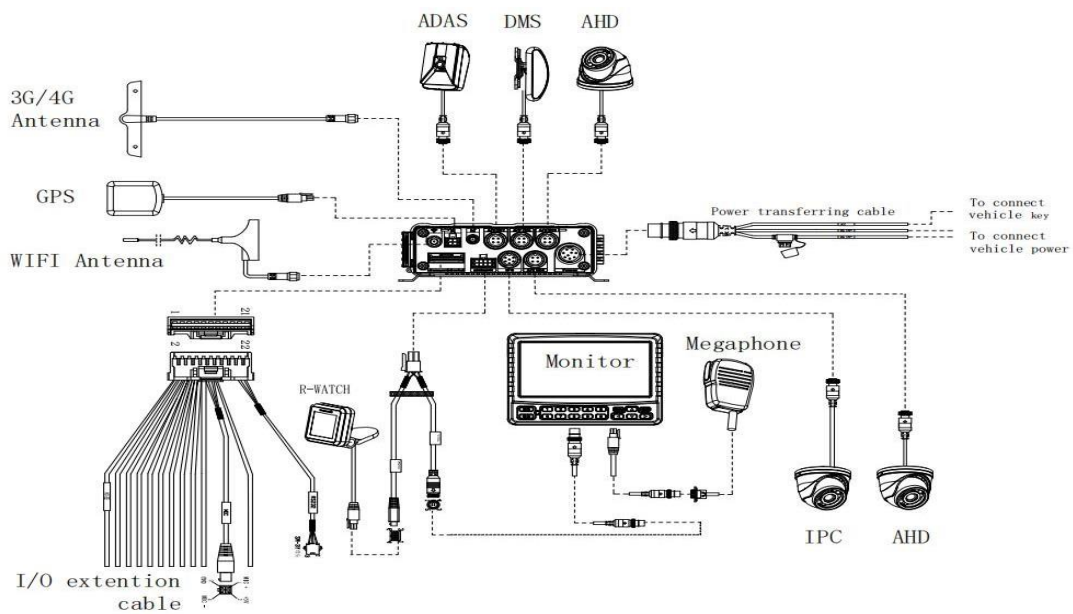
Front panel



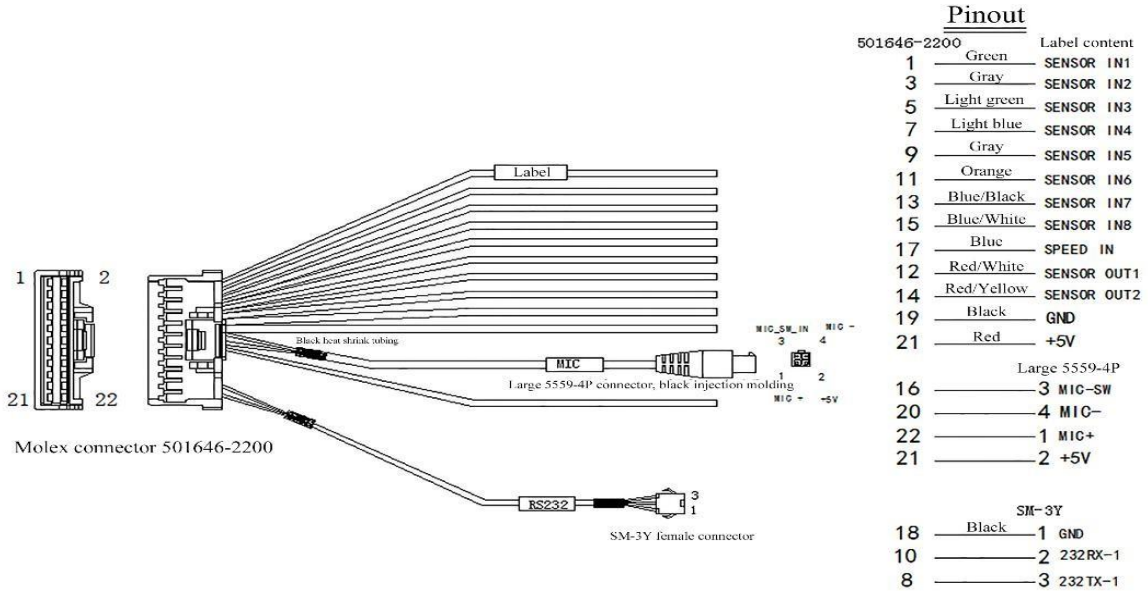
Rear panel



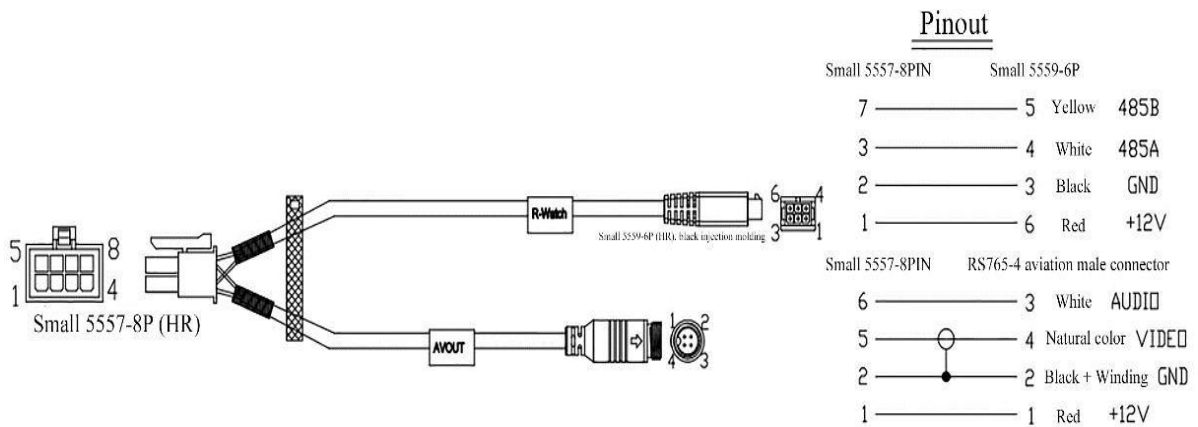
System Connection Diagram



Alarm serial cable connector pinout



Signal cable connector pinout



Power cable connector pinout

